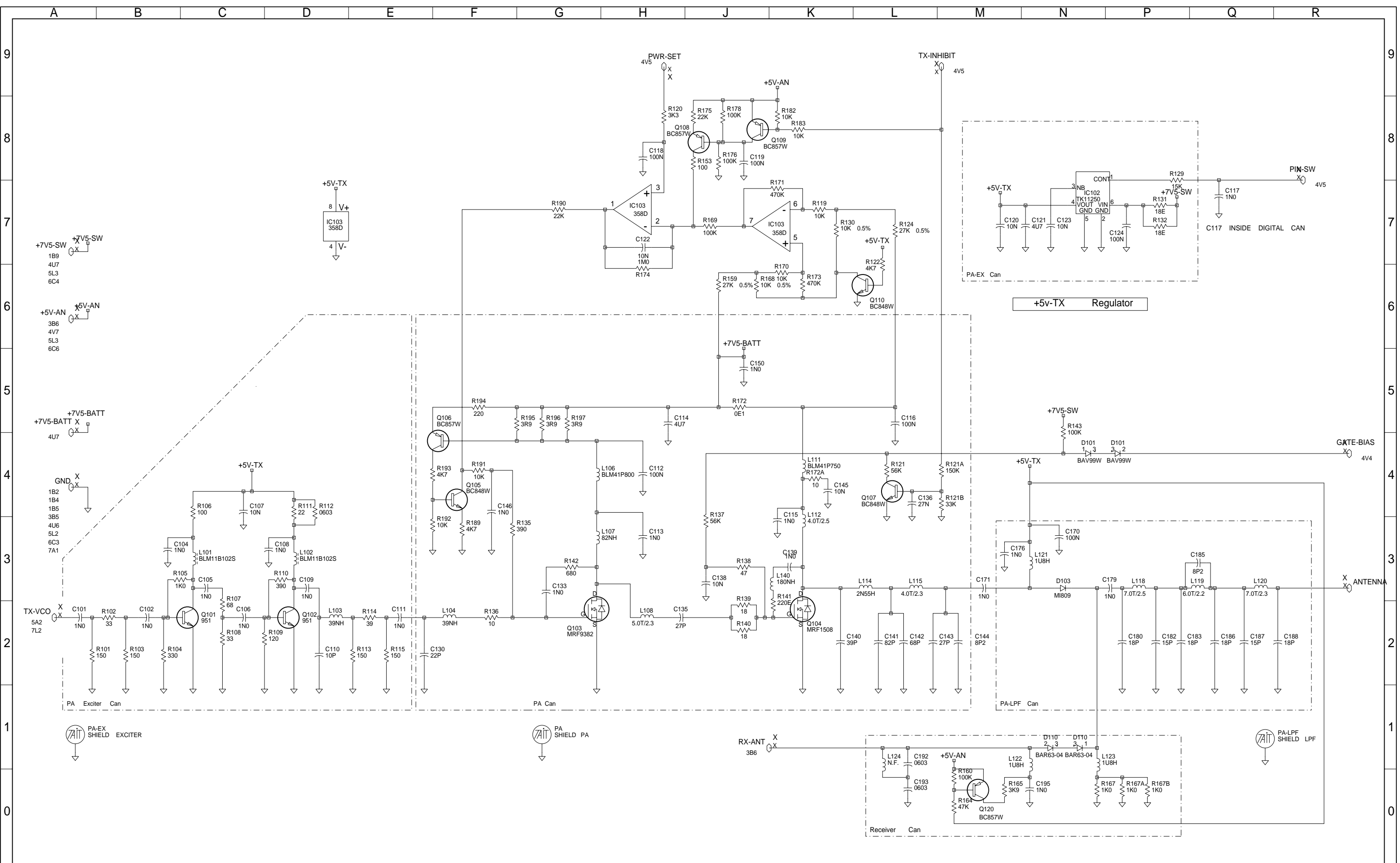


02A	MINOR MOD TO CCT AND VALUES	SP/CJK	X	X	X	25/05/99
01A	NEW PA LINEUP	BCS/CJK				12/02/99
REV/ISS	AMENDMENTS	DRAWN	CHKD	D.O.	APVD	DATE

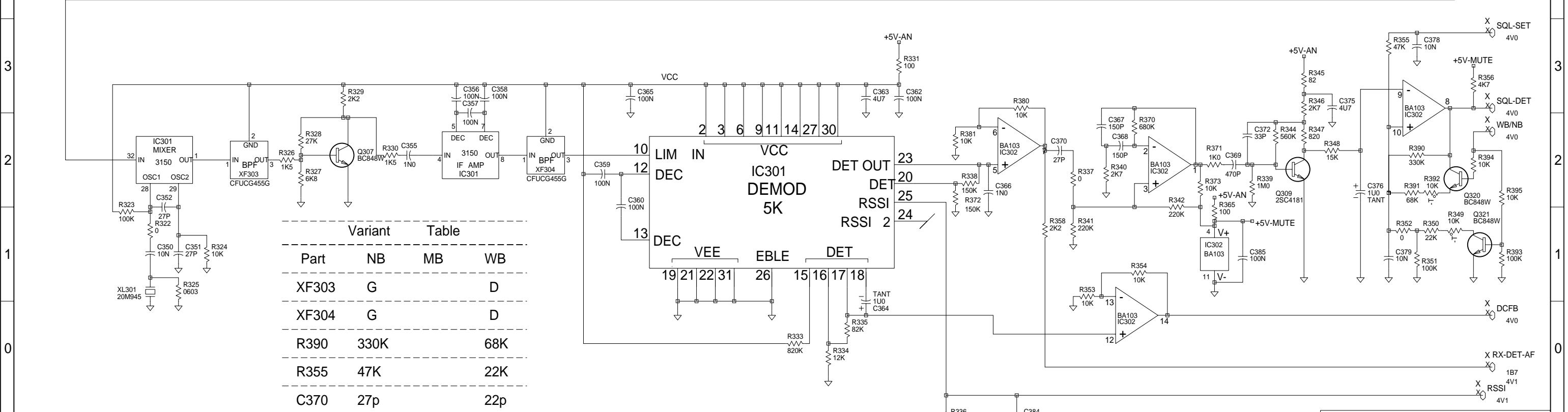
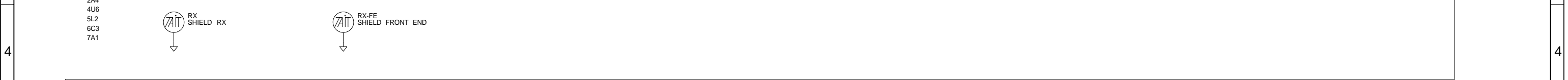
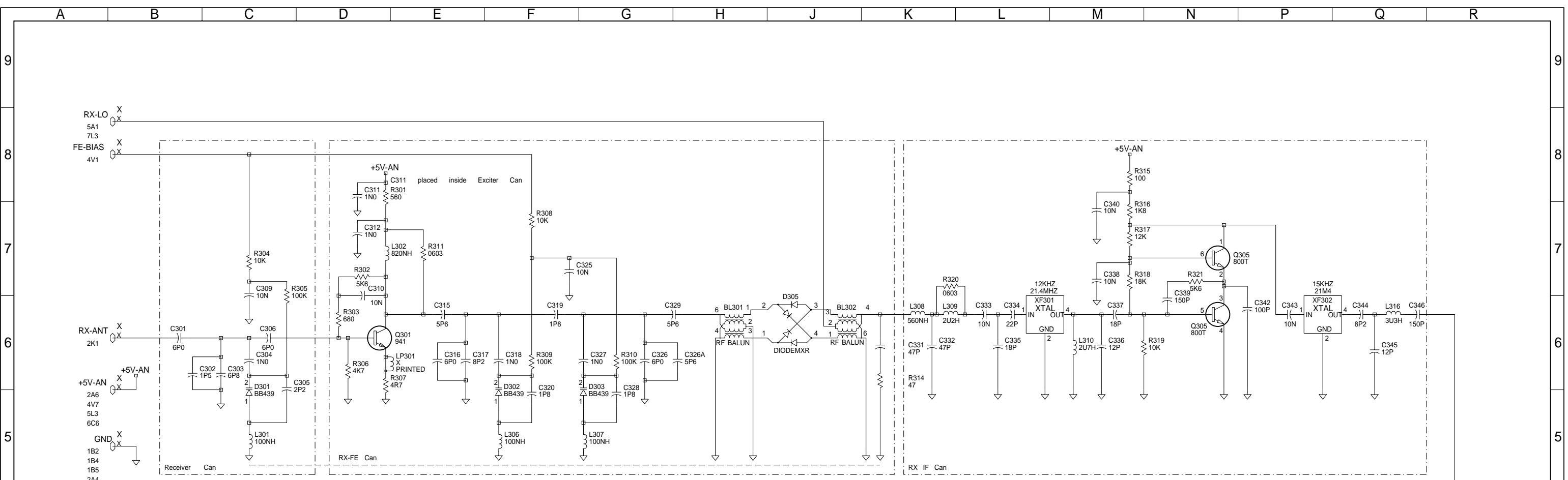
VHF
Tait Orca

© TAIT ELECTRONICS	
ORCA	:TP010-3122 136-174MHZ
SYSTEM DIAGRAM	
IPN: 220-01588-02	ISSUE: A
ID: 2.S.C. 1	
PROJECT: TAIT ORCA	DESIGNER: CJK
FILE NAME: 158802A	FILE DATE: 25-05-99
NO SHEETS: 7	



01A	NEW PA LINEUP (BC-S)	CJK	X	X	X	12/02/99
REV/ISS	AMENDMENTS	DRAWN	CHKD	D.O.	APVD	DATE

© TAIT ELECTRONICS
 ORCA :TP010-3122 136-174MHZ
 POWER AMPLIFIER
 IPN: 220-01588-02 ISSUE: A ID: 2.S.C. 2
 PROJECT: TAIT ORCA DESIGNER: CJK FILE NAME: 158802A FILE DATE: 25-05-99 NO.SHEETS: 7

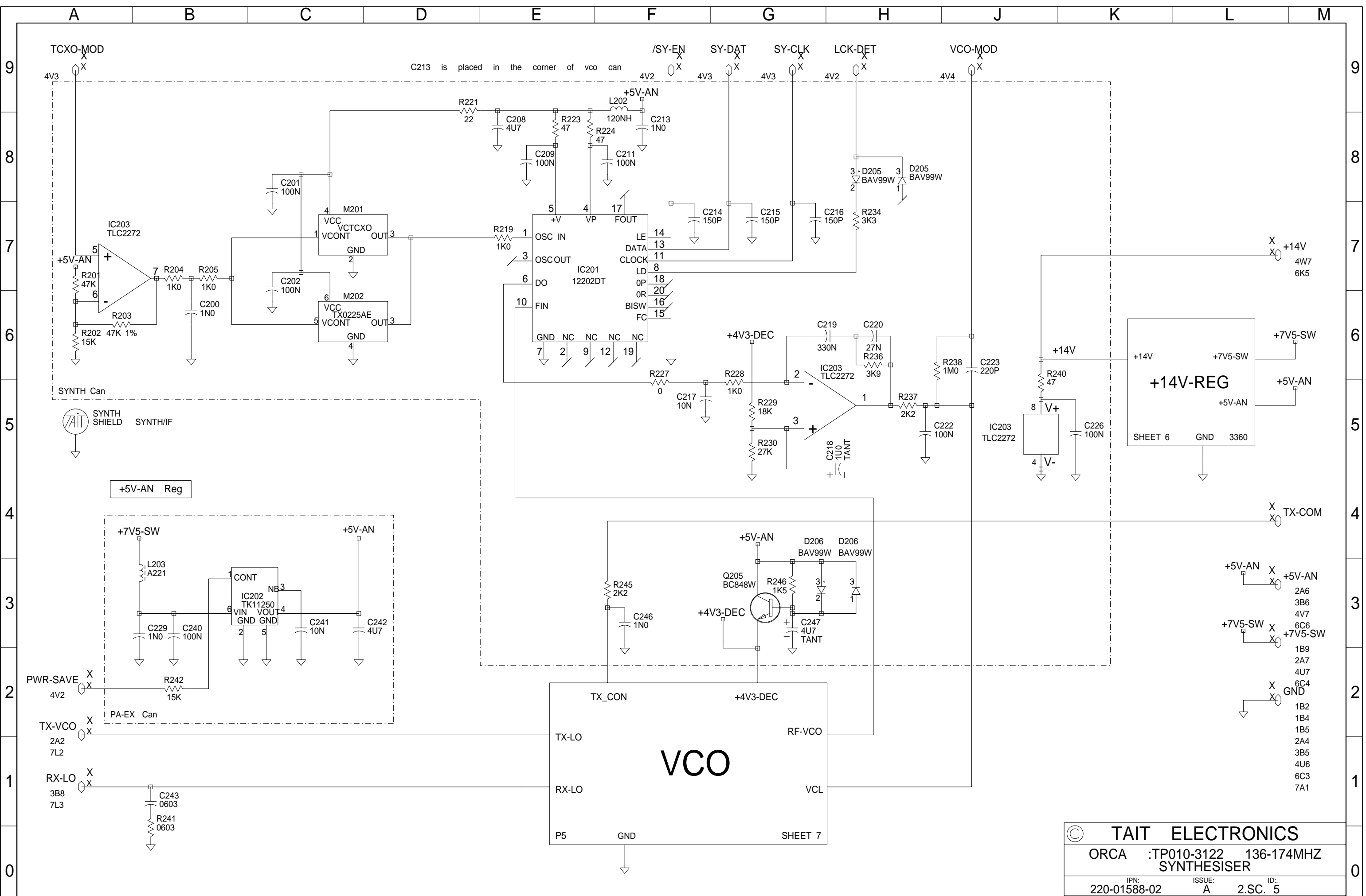


Variant Table

Part	NB	MB	WB
XF303	G		D
XF304	G		D
R390	330K		68K
R355	47K		22K
C370	27p		22p
C369	470p		330p

01A	X	CJK	X	X	X	12/02/99	
REV/ISS	AMENDMENTS		DRAWN	CHKD	D.O.	APVD	DATE

TAIT ELECTRONICS
 ORCA :TP010-3122 136-174MHZ RECEIVER
 IPN: 220-01588-02 ISSUE: A ID: 2.S.C. 3
 PROJECT: TAIT ORCA DESIGNER: CJK FILE NAME: 158802A DATE: 25-05-99 NO.SHEETS: 7



C213 is placed in the corner of vco can

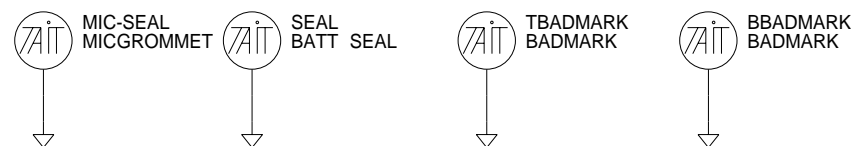
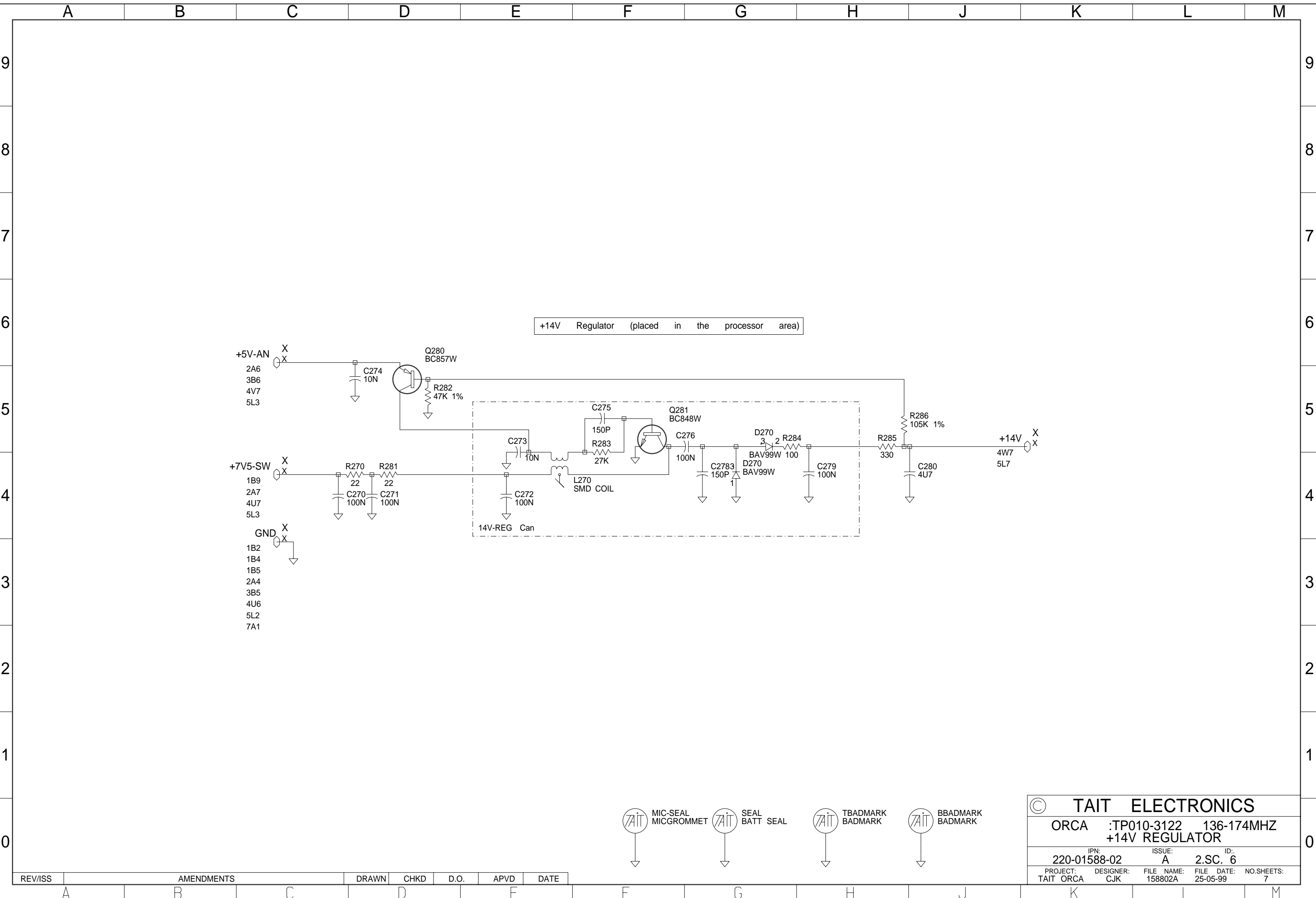
+14V-REG
SHEET 6
GND 3360

VCO
SHEET 7
P5 GND

© TAIT ELECTRONICS				
ORCA	:TP010-3122	136-174MHZ	SYNTHESISER	
IPN:	ISSUE:	ID:		
220-01588-02	A	2.SC. 5		
PROJECT:	DESIGNER:	FILE NAME:	FILE DATE:	NO.SHEETS:
TAIT ORCA	CJK	158802A	25-05-99	7

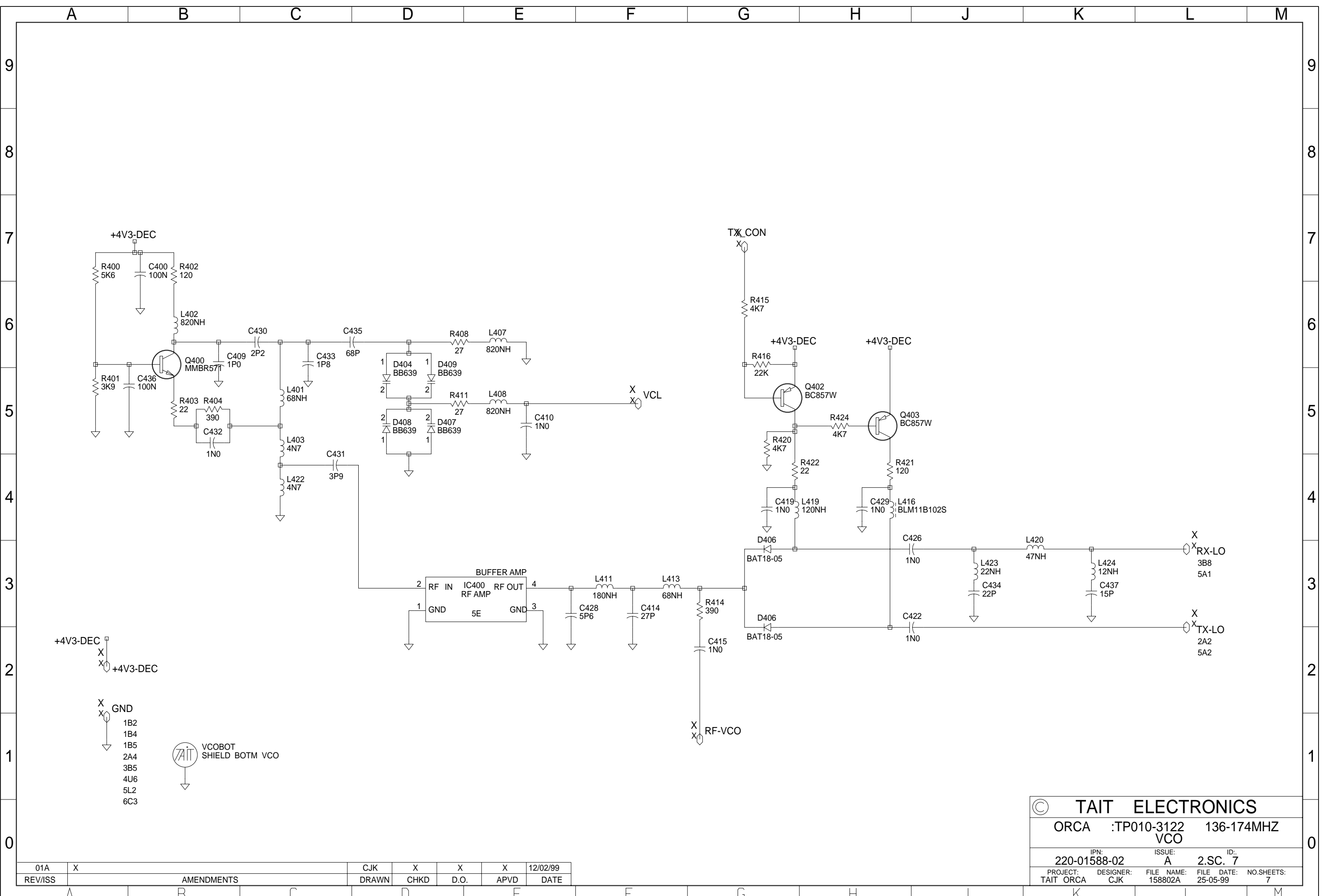
REV/ISS	AMENDMENTS	DRAWN	CHKD	D.O.	APVD	DATE

- X 2A6
- X 3B6
- X 4V7
- X 6C6
- X 7V5-SW
- X 1B9
- X 2A7
- X 4U7
- X 6C4
- X GND
- X 1B2
- X 1B4
- X 1B5
- X 2A4
- X 3B5
- X 4U6
- X 6C3
- X 7A1



© TAIT ELECTRONICS				
ORCA		:TP010-3122	136-174MHZ	
+14V REGULATOR				
IPN:		ISSUE:	ID:	
220-01588-02		A	2.SC. 6	
PROJECT:	DESIGNER:	FILE NAME:	FILE DATE:	NO.SHEETS:
TAIT ORCA	CJK	158802A	25-05-99	7

REV/ISS	AMENDMENTS	DRAWN	CHKD	D.O.	APVD	DATE
---------	------------	-------	------	------	------	------



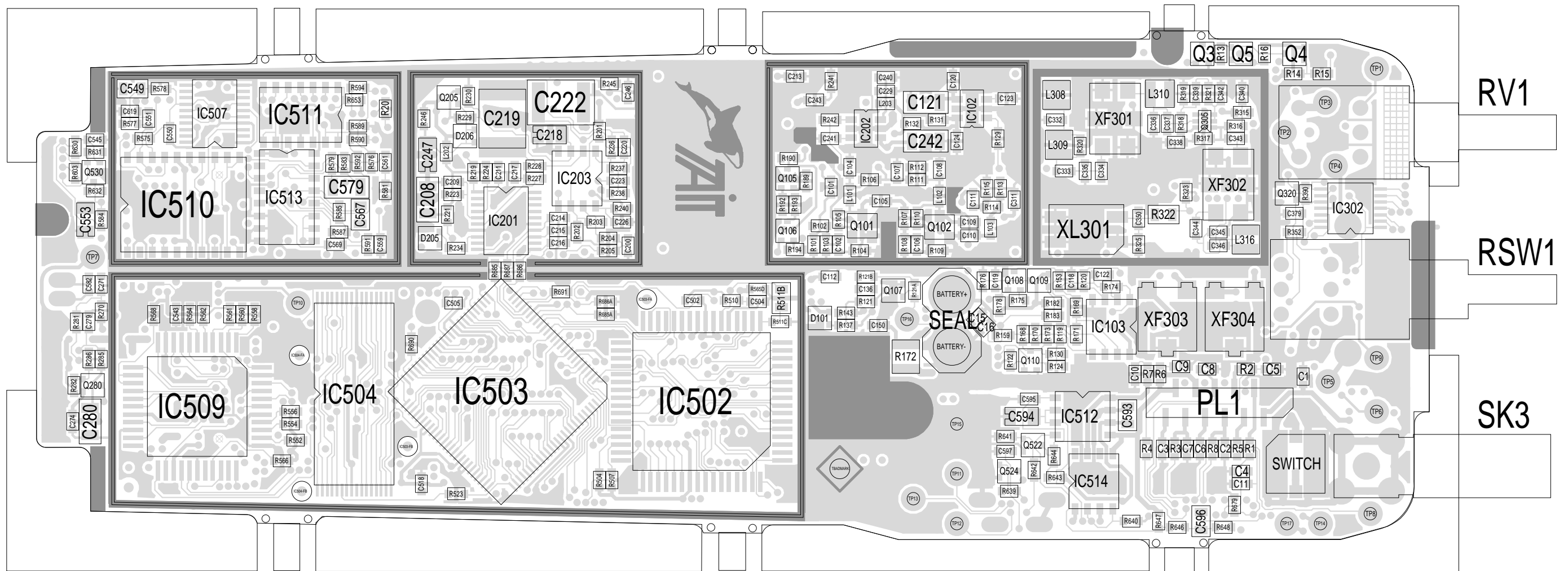
01A	X		CJK	X	X	X	12/02/99
REV/ISS		AMENDMENTS	DRAWN	CHKD	D.O.	APVD	DATE

© TAIT ELECTRONICS

ORCA :TP010-3122 136-174MHZ VCO

IPN: 220-01588-02 ISSUE: A ID: 2.SC. 7

PROJECT: TAIT ORCA DESIGNER: CJK FILE NAME: 158802A FILE DATE: 25-05-99 NO.SHEETS: 7



TAIT ELECTRONICS IPN: 220-01588-02 ISS: -02A ID: 1.TA DATE: 25 May 1999
 ORCA VHF PCB LAYOUT - TOP SIDE

Scale: 2.3:1 ; Rotation: 0 degrees



TAIT ELECTRONICS IPN: 220-01588-02 ISS: -02A ID: 6.BA DATE: 25 May 1999
 ORCA VHF PCB LAYOUT - BOTTOM SIDE

Scale: 2.3:1 ; Rotation: 0 degrees